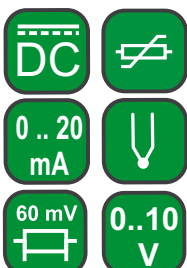


NA6 DIGITAL METER WITH BARGRAPH

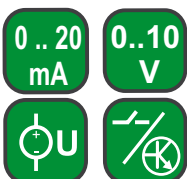
FEATURES:



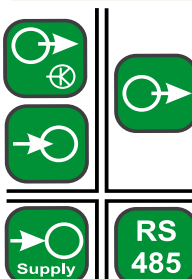
INPUTS:



OUTPUTS:



GALVANIC ISOLATION:



Lack of galvanic isolation between channels

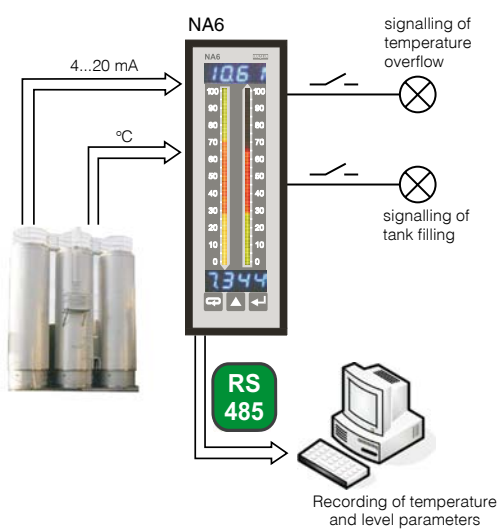
Export department:
English: +48 68 32 95
 302 / 321 / 276 / 386 / 233
German: +48 68 32 95 305
French: +48 68 32 95 304
Russian: +48 68 32 95 321
Fax: +48 68 32 54 091
e-mail: export@lumel.com.pl
 LUMEL S.A.
 ul. Sulechowska 1
 65-022 Zielona Góra
 POLAND
WWW.LUMEL.COM.PL



- 2 independent measuring channels with an universal input,
- 3 or 7-colour bargraph with programmable colour switching over,
- Recording of 750 measuring segments, released temporary,
- Programmable indication characteristic and bargraph magnifier,
- Up to 8 programmable alarm outputs,
- Mathematical operations on channels,
- Communication in SCADA systems (RS485/Modbus interface),
- Conversion of measured quantity into an analog standard signal for automation systems.

EXAMPLE OF APPLICATION

Measurement of level and temperature in a tank



INPUTS

| Kind of input | Measuring range | Measurement subrange |
|-----------------|---|--|
| Pt100 | -200...850°C | 320°C |
| Pt500 | -200...850°C | 230°C |
| Pt1000 | -200...850°C | 290°C |
| J (Fe-CuNi) | -100...1100°C | 350°C, 700°C |
| K (NiCr-NiAl) | -100...1370°C | 450°C, 950°C |
| N (NiCrSi-NiSi) | -100...1300°C | 550°C, 1000°C |
| E (NiCr-CuNi) | -100...850°C | 250°C, 520°C |
| R (PtRh13-Pt) | 0...1760°C | |
| S (PtRh10-Pt) | 0...1760°C | |
| T (Cu-CuNi) | -50...400°C | |
| Resistance | 0...10 kΩ | 110 Ω, 220 Ω, 460 Ω, 950 Ω, 2100 Ω, 5000 Ω, |
| Voltage | ± 300 mV, Rinp. > 9 MΩ ± 0...600 V, Rinp. > 4.2 MΩ | 19 mV, 35 mV, 75 mV, 155 mV, 5 V, 11 V, 22 V, 45 V, 90 V, 180 V, 360 V |
| Current | ± 40 mA, Rinp. < 4 Ω ± 5 A, Rinp. = 10 mΩ ± 10% | 5 mA, 11 mA, 23 mA, 1.8 A, 3.8 A |

Intensity of current flowing through the resistance thermometer: < 400 μA
 Resistance of wires connecting the resistance thermometer with the meter: < 20 Ω/1 wire

OUTPUTS

| Kind of output | Features |
|--------------------------|---|
| Analog output | • galvanically isolated with resolution 0.025% of range; current programmable 0/4...20 mA, load resistance ≤ 500 Ω or voltage programmable 0...10 V, load resistance ≥ 500 Ω, output response time: 100 ms. |
| Relay output | • 4 electromagnetic relays; NOC voltageless contacts, maximal load-carrying capacity: - voltage: 250 V a.c., 150 V d.c. - current: 5 A 30 V d.c., 250 V a.c. - resistance load: 1250 VA, 150 W |
| Open collector (OC) type | • voltageless of OC type with npn transistor, maximal load: 25 mA, range of appended voltages: 5...30 V d.c. |
| Digital | • interface type: RS-485; transmission protocol: MODBUS ASCII (8N1, 7E1, 7O1), RTU (8N2, 8E1, 8O1, 8N1); baud rate: 2400, 4800, 9600 bit/s |
| Additional supply output | • 24 V d.c., maximal load 20 mA |

EXTERNAL FEATURES

| | | |
|-------------------------------------|---------------------------|---|
| Readout field | 2 × 4 LED displays | 7-segment digits of 7 mm high, measuring range -1999...9999 |
| | bargraph | bargraph of 88 mm length: - 48 segments in three-colour version - 27 segments in seven-colour version |
| | | Bargraph resolution: programmable |
| | | Bargraph accuracy: ± 0.5 segment |
| Weight | < 0.4 kg | |
| Overall dimensions | 48 × 144 × 100 mm | panel cut-out: 44 ^{+0.5} × 137.5 ^{+0.5} mm |
| Protection grade (acc. to EN 60529) | IP50 from frontal side | IP20 from terminal side |

RATED OPERATING CONDITIONS

| | | |
|-------------------|--|---------------------------|
| Supply voltage | 95...253 V a.c./d.c., 20...40 V a.c./d.c. | Power consumption < 13 VA |
| Temperature | ambient: -10...23...55°C | Storage: -25...85°C |
| Relative humidity | < 95% | Condensation inadmissible |

SAFETY AND COMPATIBILITY REQUIREMENTS

| | | |
|--|---------------------|----------------------|
| Electromagnetic compatibility | noise immunity | acc. to EN 61000-6-2 |
| | noise emissions | acc. to EN 61000-6-4 |
| Pollution grade | 2 | |
| Installation category | III | |
| Maximal phase-to-earth operating voltage | input: 600 V | acc. to EN 61010-1 |
| | supply: 300 V | |
| | relays: 300 V | |
| | analog output: 50 V | |
| | RS-485: 50 V | |

TABLE 1. EXECUTION CODE:

| | | | | | | | | | | |
|---|---|----|---|---|---|---|---|---|----|----|
| NA6 - | X | XX | X | X | X | X | X | X | XX | X |
| Bargraph colour: | | | | | | | | | | |
| three-colour (R, G, R+G) | | T | | | | | | | | |
| seven-colour (R, G, B, R+G, R+B, G+B, R+G+B) | | M | | | | | | | | |
| Display colour on channels 1 and 2: | | | | | | | | | | |
| without display* | | 00 | | | | | | | | |
| red-red | | RR | | | | | | | | |
| red-green | | RG | | | | | | | | |
| red-blue | | RB | | | | | | | | |
| green-red | | GR | | | | | | | | |
| green-green | | GG | | | | | | | | |
| green-blue | | GB | | | | | | | | |
| blue-red | | BR | | | | | | | | |
| blue-green | | BG | | | | | | | | |
| blue-blue | | BB | | | | | | | | |
| Input signal: | | | | | | | | | | |
| universal input | | | | | | | | | U | |
| Analog output signal: | | | | | | | | | | |
| lack | | | | | | | | | | 0 |
| current programmable 0/4...20 mA | | | | | | | | | | 1 |
| voltage programmable 0...10 V | | | | | | | | | | 2 |
| Digital output signal: | | | | | | | | | | |
| lack | | | | | | | | | | 0 |
| RS-485 output signal | | | | | | | | | | 1 |
| Additional output: | | | | | | | | | | |
| lack* | | | | | | | | | | 0 |
| 4 relays | | | | | | | | | | 4 |
| 8 outputs of OC type | | | | | | | | | | 8 |
| Supply: | | | | | | | | | | |
| 95...253 V a.c./d.c. | | | | | | | | | | 1 |
| 20...40 V a.c./d.c. | | | | | | | | | | 2 |
| Kind of terminals: | | | | | | | | | | |
| screwed plug-in sockets | | | | | | | | | | 0 |
| Version: | | | | | | | | | | |
| standard | | | | | | | | | | 00 |
| custom-made** | | | | | | | | | | XX |
| Acceptance tests: | | | | | | | | | | |
| without an extra quality inspection certificate | | | | | | | | | | 8 |
| with an extra quality inspection certificate | | | | | | | | | | 7 |
| acc. to customer's request** | | | | | | | | | | X |

* - in case of meters without displays, one must order an RS-485 digital output
 ** - after agreeing with the manufacturer

Ordering Example:

The code: **NA6 - M GB U 1 1 4 1 0 00 8** means:
NA6 - digital meter with bargraph of NA6 type,
M - with a seven-color bargraph,
GB - green-blue display color on channel 1 and 2,
U - with an universal input signal,
1 - analog programmable output signal: 0/4...20 mA,
1 - RS-485 output signal,
4 - with additional 4 relays digital output signal,
1 - supply voltage: 95...253 V a.c./d.c.,
0 - terminals of plug-in socket type,
00 - standard version,
8 - without extra quality requirements.

CONNECTION DIAGRAMS

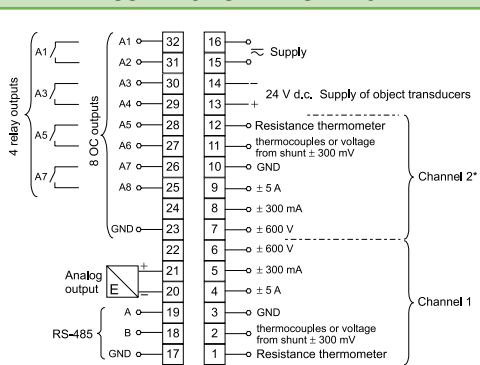


Fig. 1 Description of the terminal strip.

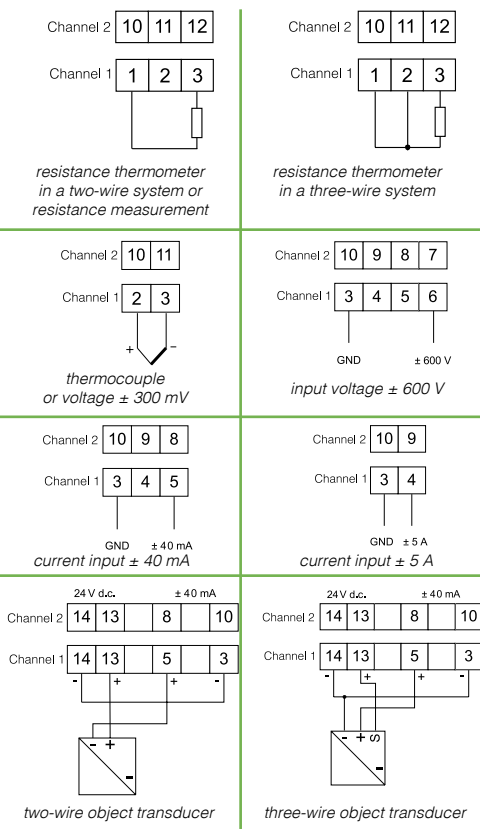


Fig. 2 Connection way of input signals.

SEE ALSO:



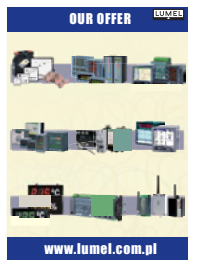
Temperature and humidity transducers P18 i P18L types.



N30 digital meters with a 3-colour display and free LPConfig program.



Visualization programs enabling to build distributed control and measuring systems like: LUMEL-CONTROL, LUMEL-PROCES, LUMEL3000.



For more information about LUMEL's products please visit our website: www.lumel.com.pl

Export department:

English: +48 68 32 95 302 / 321 / 276 / 386 / 233
 German: +48 68 32 95 305
 French: +48 68 32 95 304
 Russian: +48 68 32 95 321
 Fax: +48 68 32 54 091
 e-mail: export@lumel.com.pl

LUMEL S.A.
 ul. Sulechowska 1
 65-022 Zielona Góra
 POLAND

WWW.LUMEL.COM.PL